

Drawing



Tools for Chefs

Hendi B.V.
 Steenoven 21
 3911 TX Rhenen
 The Netherlands

Batch #
 HK103220 and
 up

Appliance part#
222829

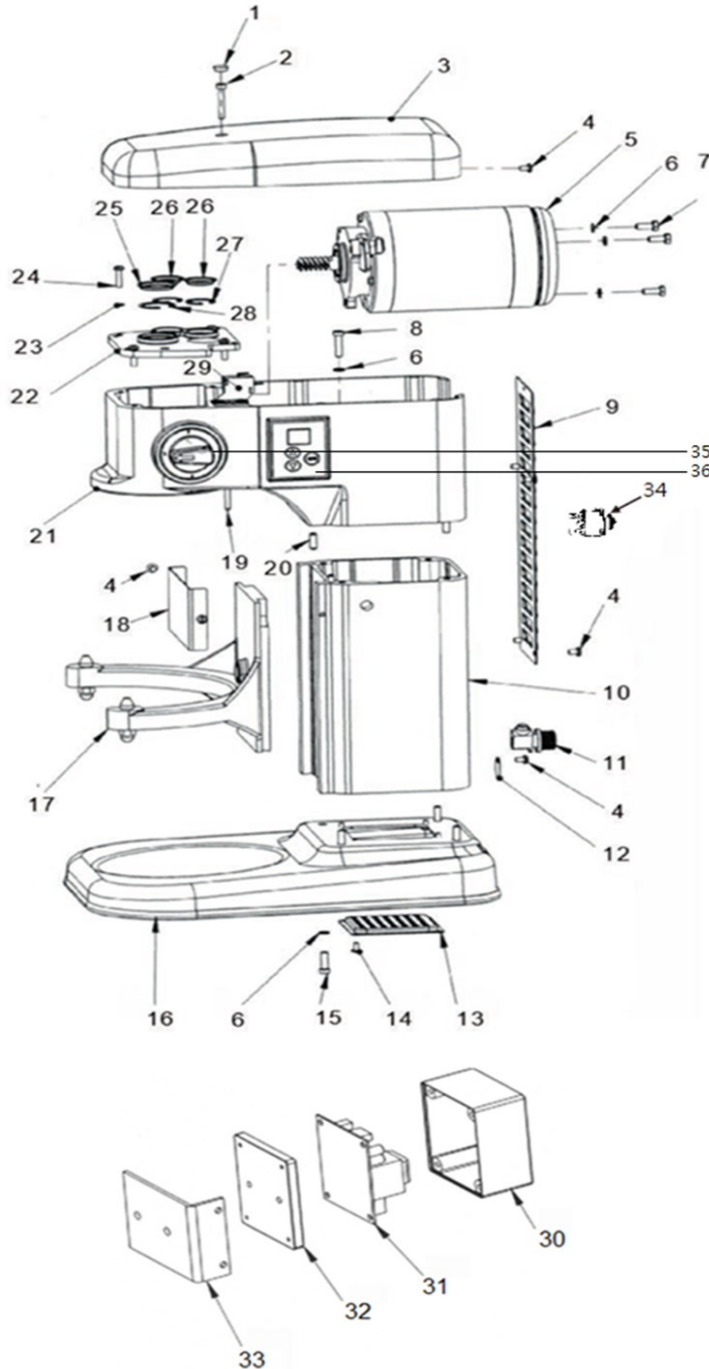
Description

Heavy duty mixer 7L


Date 31-05-2021

Revision # 1.1

Revision New handle.



Bill of materials (BOM)

 HENDI Tools for Chefs Hendi B.V. Steenoven 21 3911 TX Rhenen The Netherlands	Batch #	Appliance part#
	HK103220 and up	222829
	Description	
Heavy duty mixer 7L		

Date	31-05-2021	Revision #	1.1
Revision	New handle.		

Item	Description	Part#	Quantity	Remark	Picture
1	Screw cover	n/a	1		
2	Screw	947715	1		
3	Top cover	947722	1		
4	Screw (M5X8)	n/a	2		
5	Motor	n/a	1		
6	Washer	n/a	6		
7	Screw (M6X16)	n/a	4		
8	Screw (M6X20)	n/a	2		
9	Housing cover (back)	n/a	1		
10	Housing pilar	n/a	1		
11	Pull relief	n/a	1		
12	PE connector	n/a	1		
13	Ventilated cover (bottom)	n/a	1		
14	Screw (M4X8)	n/a	4		
15	Screw (M5X20)	n/a	4		
16	Foot gasket	959350	1		
17	Bowl cradle assembly	n/a	1	See drawing 2 and BOM 2	
18	Bowl cradle cover	n/a	1		
19	Microswitch pin	n/a	1		
20	Pin (6X18mm)	n/a	2		
21	Upper housing	n/a	1		
22	Transmission cover	n/a	1		
23	Washer	n/a	4		
24	Screw (M5X20)	n/a	4		
25	Central alxe cover	n/a	1		
26	Gear axle cover	n/a	1		
27	Circlip Ø26mm	n/a	3		
28	Circlip Ø32mm	n/a	1		
29	Microswitch bracket	n/a	1		
30	PCB housing	n/a	1		
31	Main PCB	959367	1		
32	PCB housing cover	n/a	1		
33	PCB housing bracket	n/a	1		
34	overload switch	959374	1		
35	Knob (speedselection)	959381	1		
36	Control PCB	959398	1		
*	Power cord	202289	1	Not shown on drawing	

n/a -> not available

nss -> not sold separately

Drawing



Tools for Chefs

Hendi B.V.
Steenoven 21
3911 TX Rhenen
The Netherlands

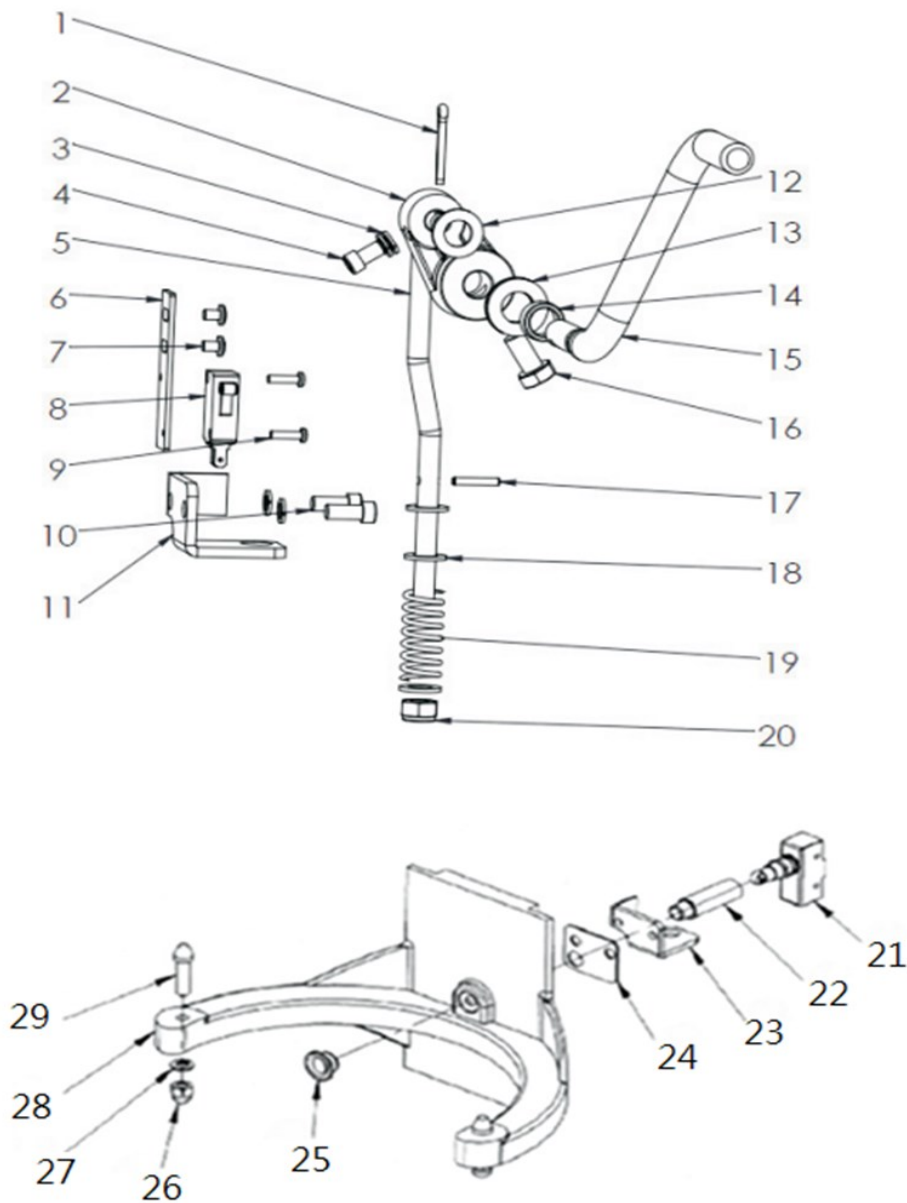
Batch #
HK103220 and
up

Appliance part#
2220829


Description
Heavy duty mixer 7L

Date	31-05-2021	Revision #	1.1
Revision	New handle.		

Handle type bowl lifter unit



Bill of materials (BOM)

 <b style="font-size: 24pt; margin-left: 10px;">HENDI Tools for Chefs Hendi B.V. Steenoven 21 3911 TX Rhenen The Netherlands	Batch #	Appliance part#
	HK103220 and up	222829
	Description	
Heavy duty mixer 7L		

Date	31-05-2021	Revision #	1.1
Revision	New handle.		

Item	Description	Part#	Quantity	Remark	Picture
1	Pin (3X16mm)	n/a	1		
2	Handle bracket	n/a	1		
3	Spring ring 6	n/a	4		
4	Screw (M6X10)	n/a	1		
5	Lifting bar	n/a	1		
6	Microswitch bracket	n/a	1		
7	Screw (M4x6)	n/a	2		
8	Microswitch (bowl cradle)	959404	1		
9	Screw (M3X12)	n/a	2		
10	Screw (M6X14)	n/a	2		
11	Lift rod bracket	n/a	1		
12	Flat washer 10	n/a	1		
13	Flat washer 12	n/a	2		
14	Sleeve	n/a	1		
15	Bowl cradle handle	n/a	1		
16	Screw (M8x16)	n/a	1		
17	Elastic cylindrical (pin 3X18mm)	n/a	1		
18	Flat washer 8	n/a	3		
19	Spring	n/a	1		
20	Nut (M8)	n/a	1		
21	Microswitch (bowl detection)	944455	1		
22	microswitch actuator	n/a	1		
23	Microswitch bracket	n/a	1		
24	Microswitch plate	n/a	1		
25	Actuator cover	n/a	1		
26	Nut	n/a	2		
27	Washer	n/a	2		
28	Bowl cradle arm	n/a	1		
29	Bowl guide pin	n/a	2		
A	Bowl cradle complete	959411	1	Incl. item 26-29	

n/a -> not available

nss -> not sold separately

Drawing



Tools for Chefs

Hendi B.V.
Steenoven 21
3911 TX Rhenen
The Netherlands

Batch #

HK103220 and
up

Appliance part#

000000

Description

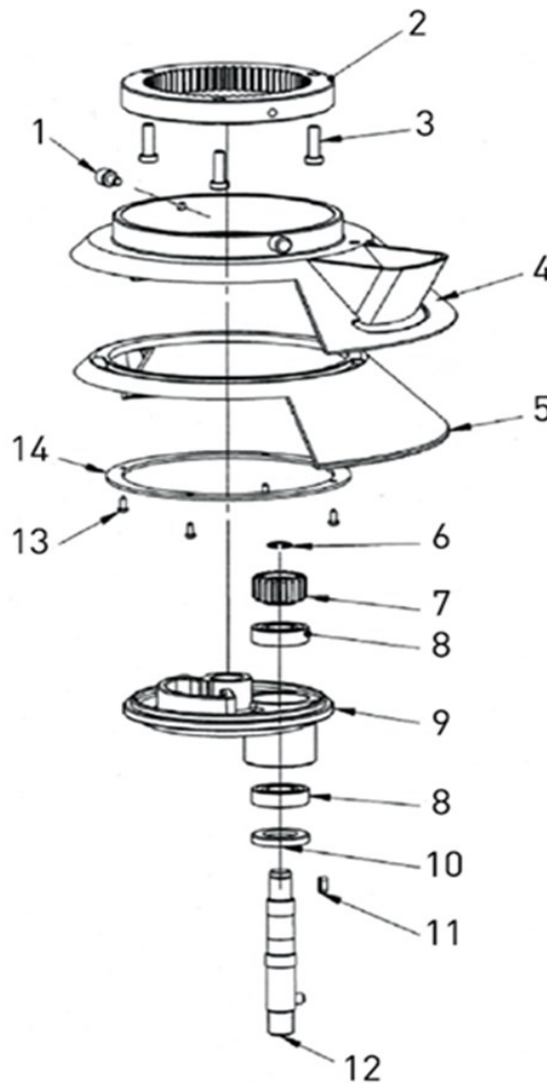
Heavy duty mixer 7L

Date 31-05-2021


Revision # 1.1

Revision New handle.

Turning plate and mixing axle



Bill of materials (BOM)

 HENDI Tools for Chefs Hendi B.V. Steenoven 21 3911 TX Rhenen The Netherlands	Batch #	Appliance part#
	HK103220 and up	222829
	Description	
Heavy duty mixer 7L		

Date	31-05-2021	Revision #	1.1
Revision	New handle.		

Item	Description	Part#	Quantity	Remark	Picture
1	Thumb screw	959428	2		
2	Inner gear	n/a	1		
3	Screw (M6X20)	n/a	4		
4	Bowl guard (outer)	nss	1	Available as 947333	
5	Bowl guard (inner)	nss	1	Available as 947333	
A	Bowl guard complete	947333	1	Incl. item 4, 5, 13 and 14	
6	Spring washer	nss	1	Available as	
7	Planetary gear	nss	1	Available as	
8	Bearing (6002)	nss	1	Available as	
9	Turning plate	951514	1	Also available as 959435	
10	Oil seal	nss	1	Available as	
11	Pin (4X10mm)	nss	1	Available as	
12	Mixing axle	944448	1	Also available as	
13	Screw	n/a	4		
14	Bracket	n/a	1		
B	Turning plate assembly	959435	1	Incl. item 6~12	

n/a -> not available

nss -> not sold separately

Drawing

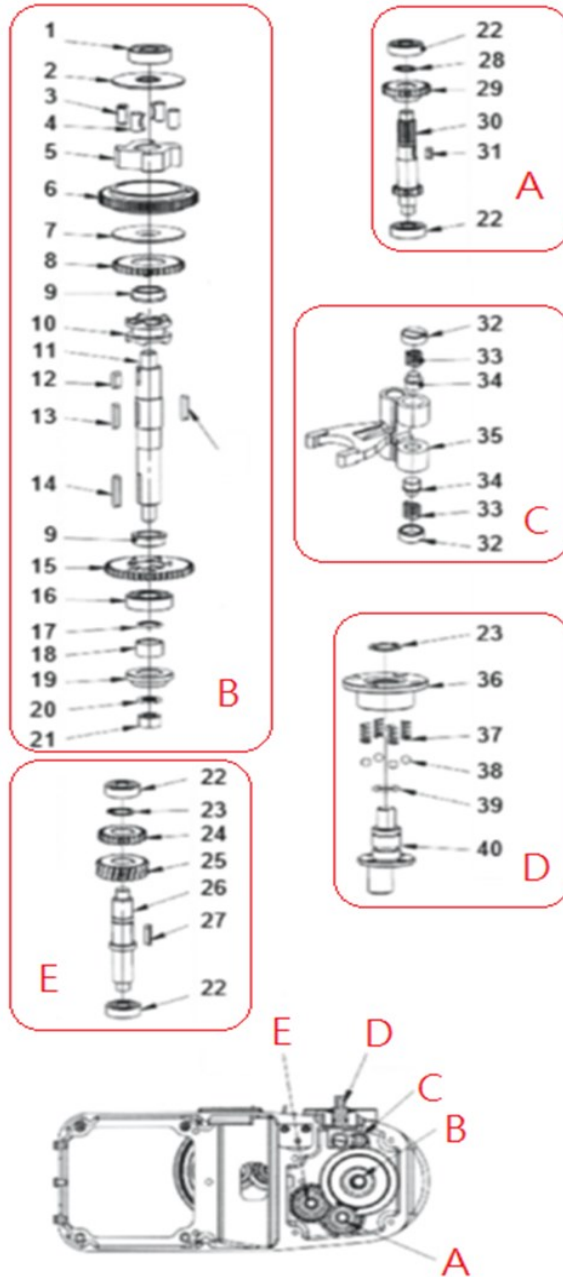


Tools for Chefs

Hendi B.V.
 Steenoven 21
 3911 TX Rhenen
 The Netherlands

Batch #	Appliance part#
HK103220 and up	222829
Description	
Heavy duty mixer 7L	

Date	31-05-2021	Revision #	1.1
Revision	New handle.		



Drawing



Tools for Chefs

Hendi B.V.

Steenoven 21
3911 TX Rhenen
The Netherlands

Batch #

HK103220 and
up

Appliance part#

222829

Description

Heavy duty mixer 7L

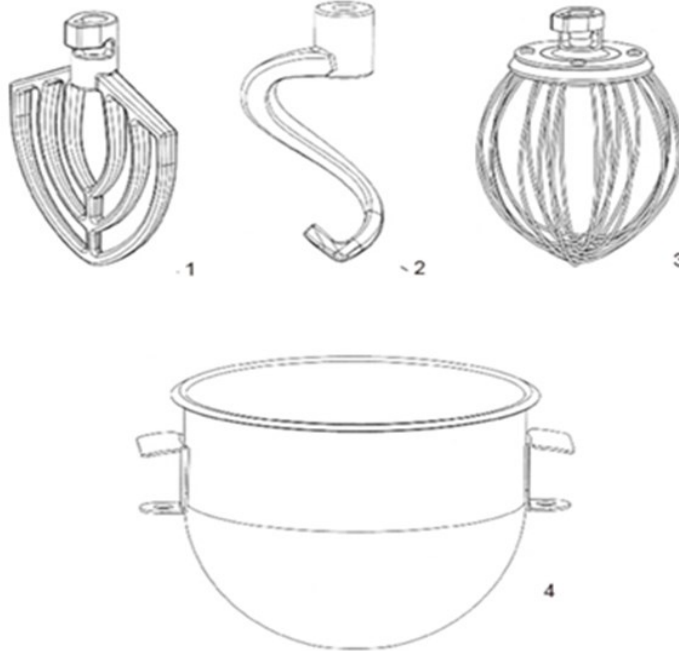
Date 31-05-2021

Revision #


1.1

Revision New handle.

Standard accessories



Bill of materials (BOM)

 HENDI <small>Tools for Chefs</small> Hendi B.V. Steenoven 21 3911 TX Rhenen The Netherlands	Batch #	Appliance part#
	HK103220 and up	222829
	Description	
Heavy duty mixer 7L		


Date	31-05-2021	Revision #	1.1
Revision	New handle.		

Item	Description	Part#	Quantity	Remark	Picture
1	Beater	944462	1		
2	Dough hook	944479	1		
3	Whisk	944486	1		
4	Stainless steel bowl	944493	1		

n/a -> not available

nss -> not sold separately

Circuit diagram

 HENDI Tools for Chefs Hendi B.V. Steenoven 21 3911 TX Rhenen The Netherlands	Batch #	Appliance part#
	HK103220 and up	222829
	Description	
Heavy duty mixer 7L		

Date	31-05-2021	Revision #	1.1
Revision	New handle.		

